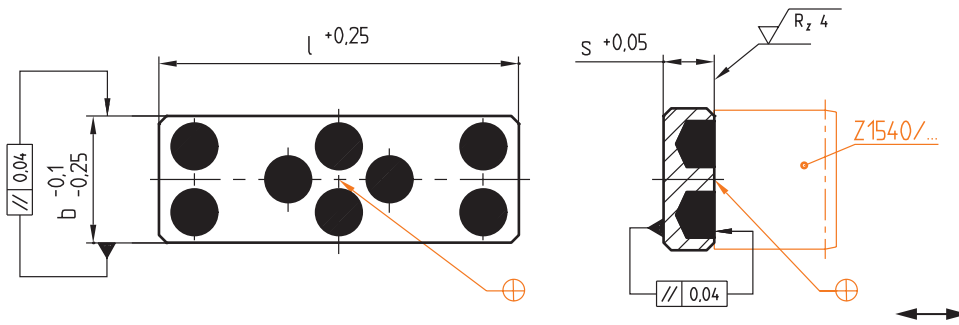


Z15W/...

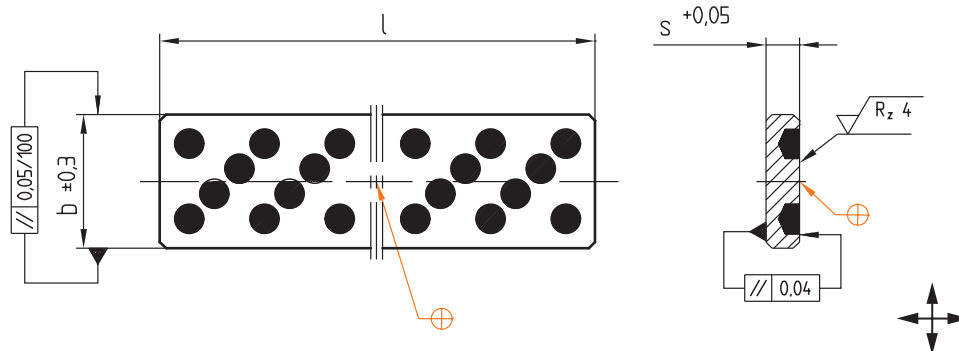
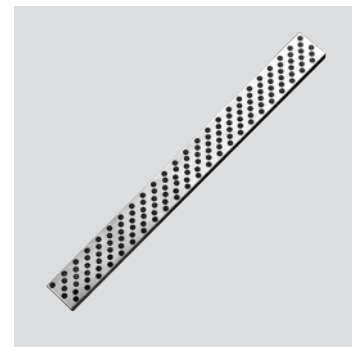
Mat.: 2.0492



max. °C	b	s	l	Nr./No.
200	16	8	40	Z15W/16x 8x40
	18		50	18x 8x50
	20	10	63	20x10x63
	25		71	25x10x71
	28		80	28x10x80

Z16W/...

Mat.: 2.0492



max. °C	b	s	l	Nr./No.
200	32	8	500	Z16W/32x 8x500
	50	10		50x10x500
	80	12		80x12x500

This is trial version  
www.adultpdf.com